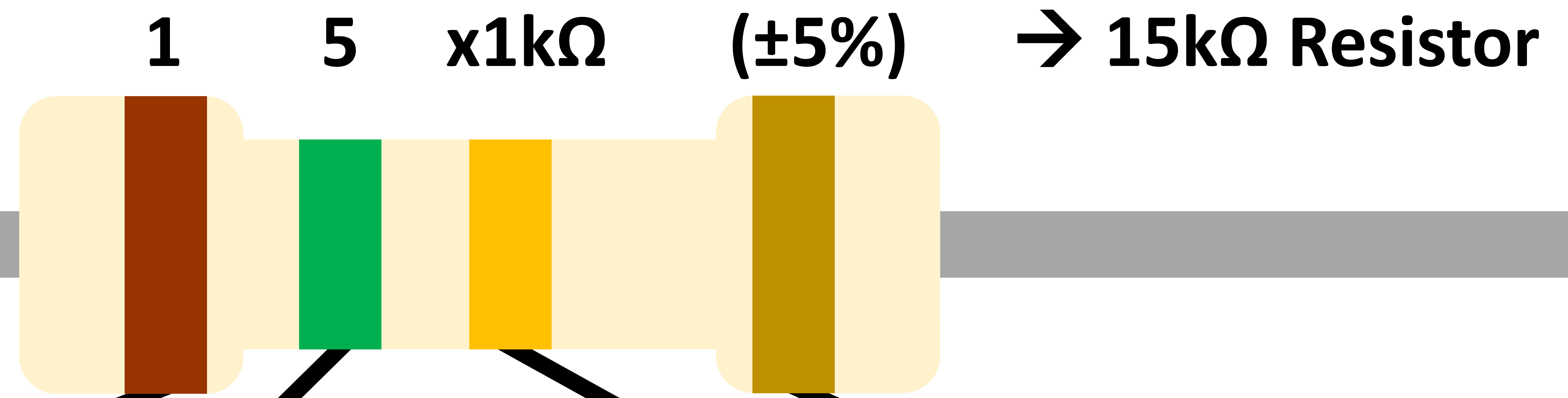
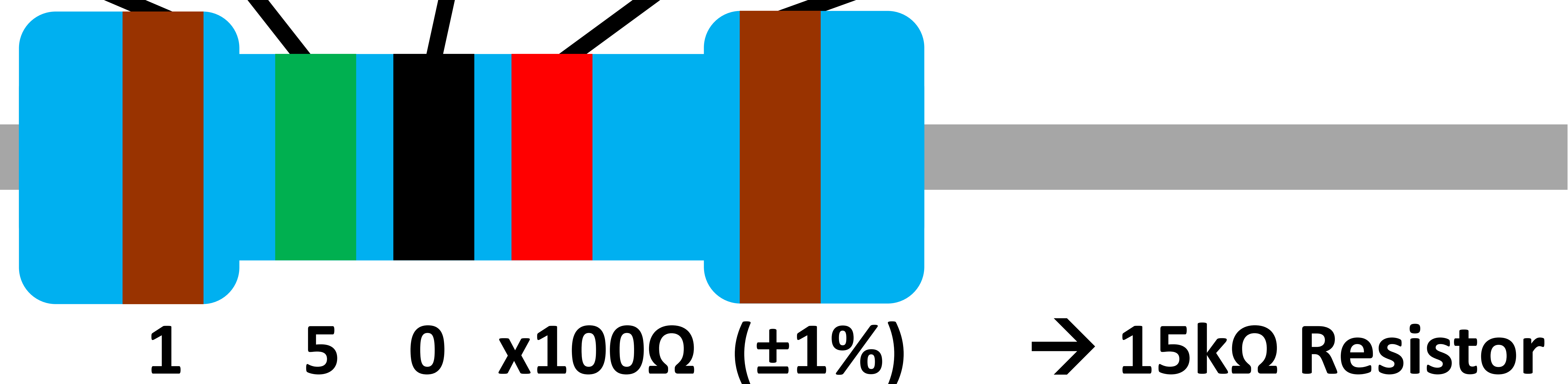


4-Band Example



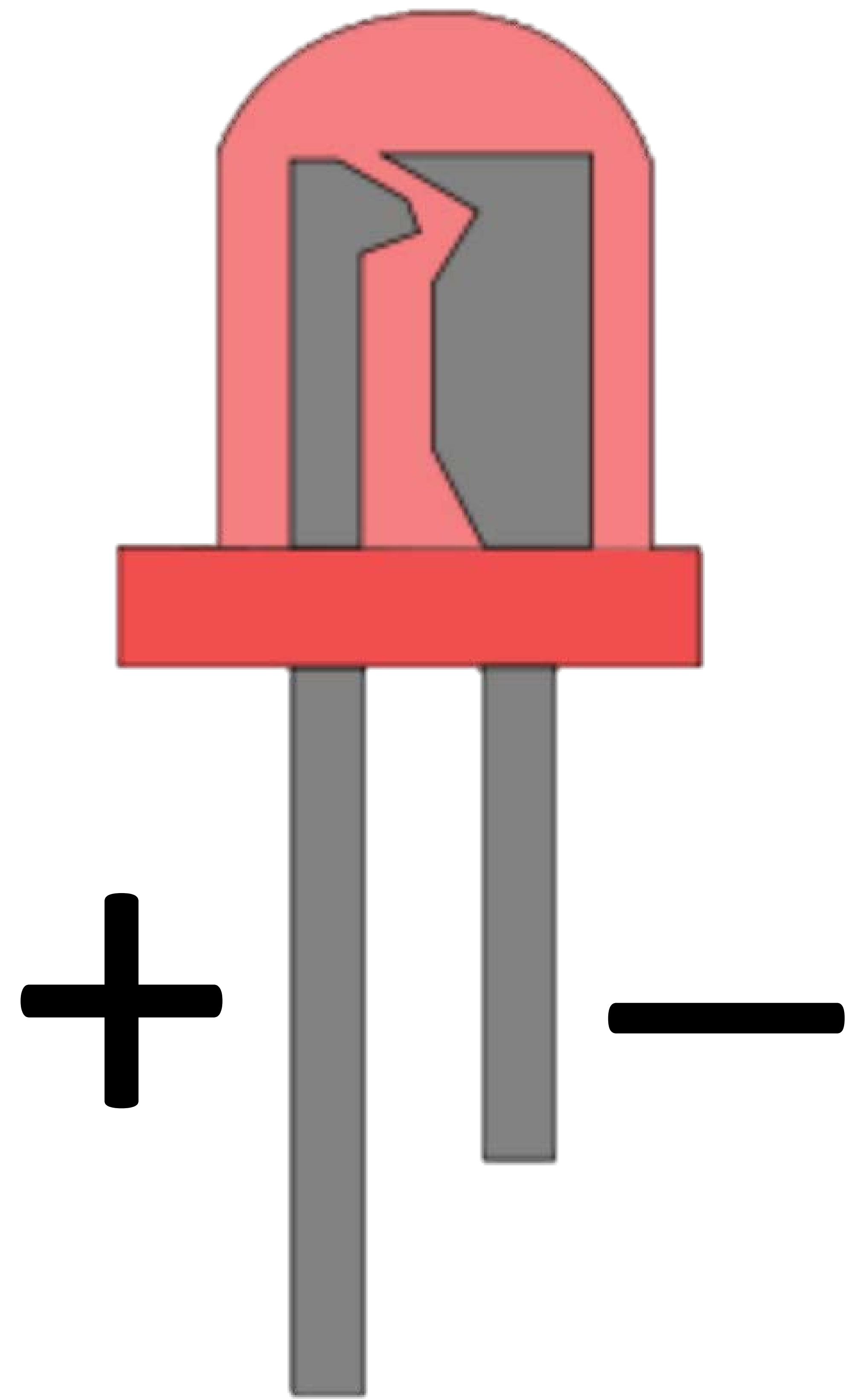
Color	1 st Band	2 nd Band	3 rd Band	Multiplier	Tolerance
BLACK	0	0	0	X 1Ω	-
BROWN	1	1	1	X 10Ω	± 1%
RED	2	2	2	X 100Ω	± 2%
ORANGE	3	3	3	X 1kΩ	-
YELLOW	4	4	4	X 10kΩ	-
GREEN	5	5	5	X 100kΩ	± 0.50%
BLUE	6	6	6	X 1MΩ	± 0.25%
VIOLET	7	7	7	X 10MΩ	± 0.10%
GREY	8	8	8	X 100MΩ	± 0.05%
WHITE	9	9	9	X 1GΩ	-
GOLD				X 0.1Ω	± 5%
SILVER				X 0.01Ω	± 10%

5-Band Example



Sample Capacitor Codes and Conversions

LED Pins



Code

- 1
- 100
- 101
- 102
- 103
- 104
- 105
- 106
- 107

Microfarads

- 0.000001 μF
- 0.00001 μF
- 0.0001 μF
- 0.001 μF
- 0.01 μF
- 0.1 μF
- 1 μF
- 10 μF
- 100 μF

$\mu\text{F } 10^{-6}$

Nanofarads

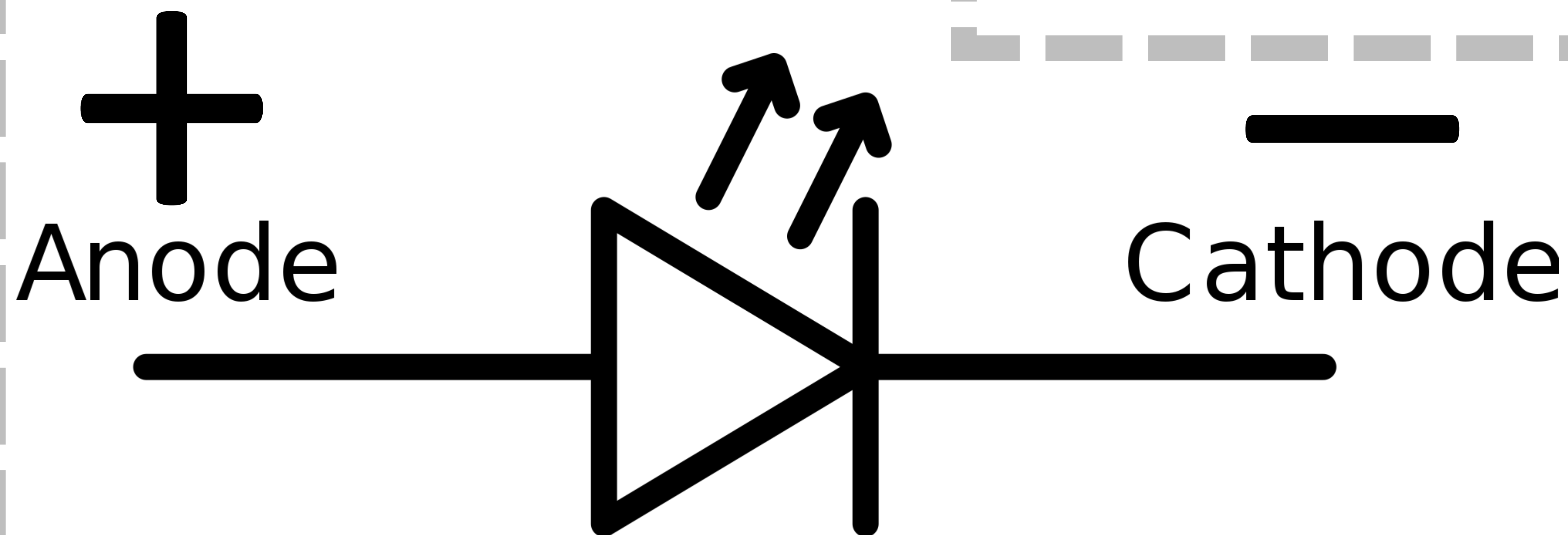
- 0.001 nF
- 0.01 nF
- 0.1 nF
- 1 nF
- 10 nF
- 100 nF
- 1,000 nF
- 10,000 nF
- 100,000 nF

$\text{nF } 10^{-9}$

Picofarads

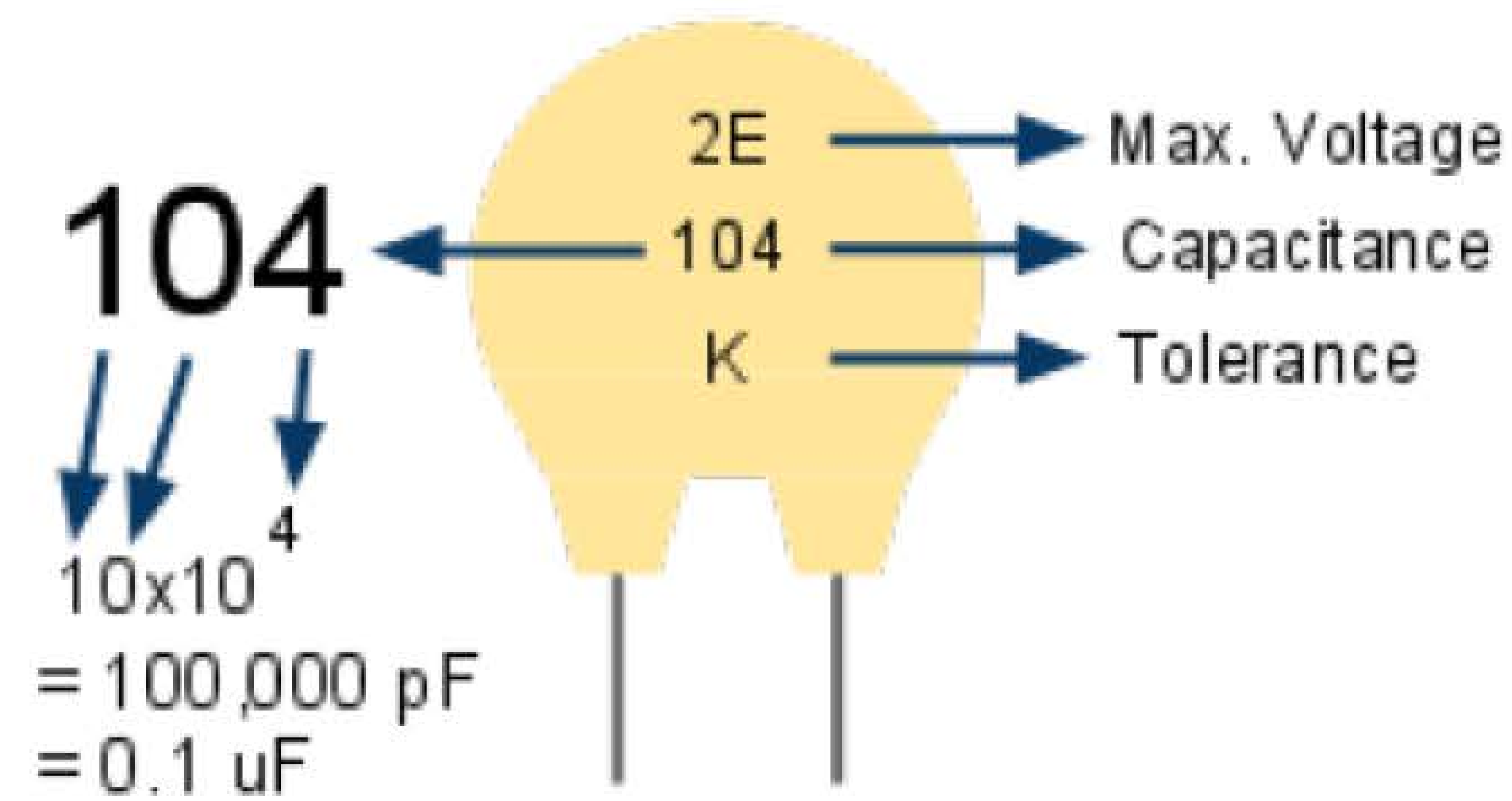
- 1 pF
- 10 pF
- 100 pF
- 1,000 pF
- 10,000 pF
- 100,000 pF
- 1,000,000 pF
- 10,000,000 pF
- 100,000,000 pF

$\text{pF } 10^{-12}$

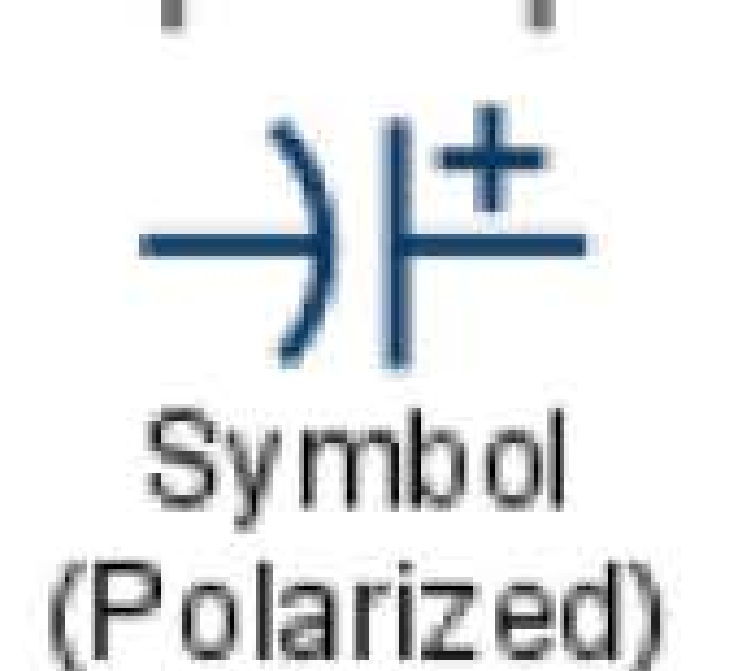
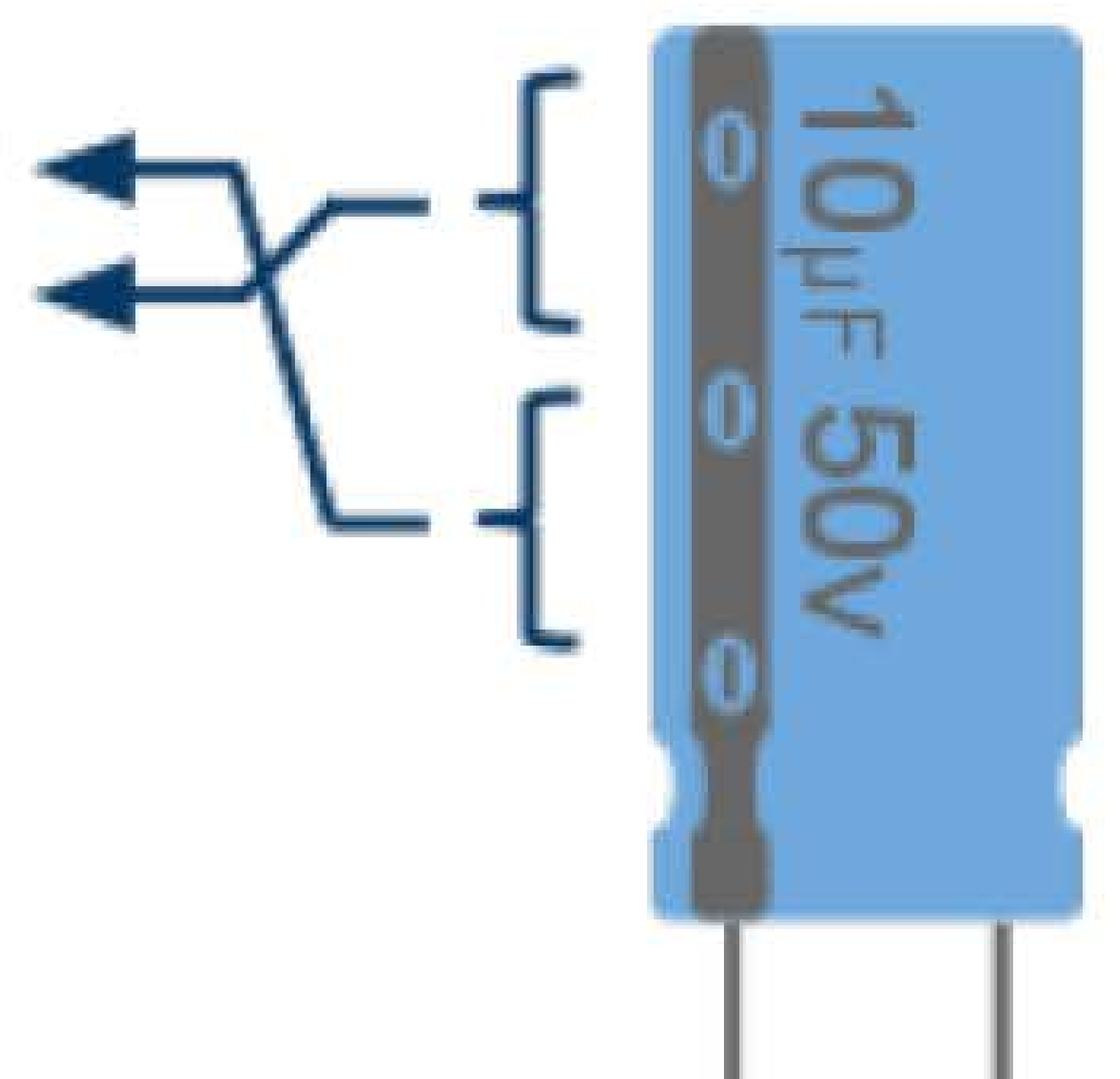


104 \rightarrow "10 pF + 4 zeros"

Ceramic Capacitor



Electrolytic Capacitor



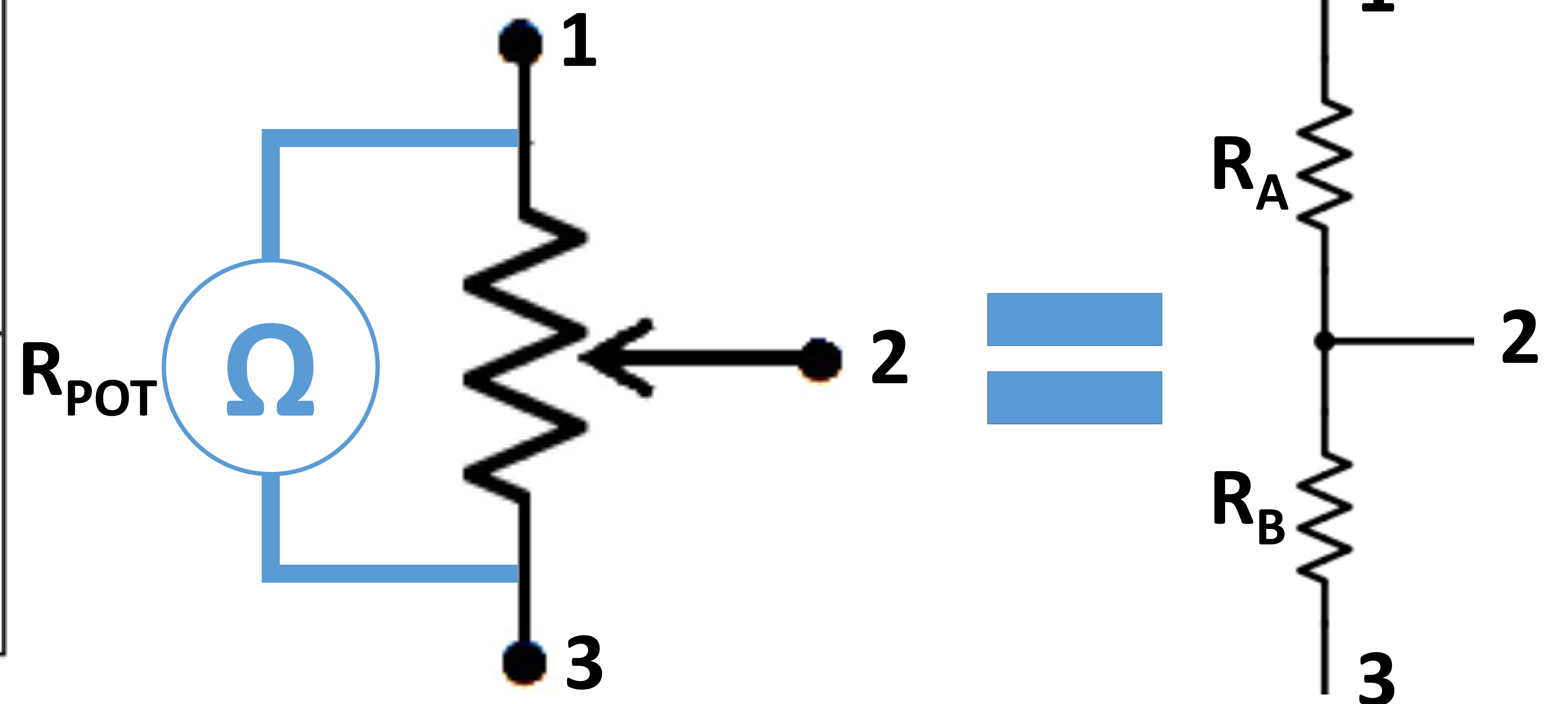
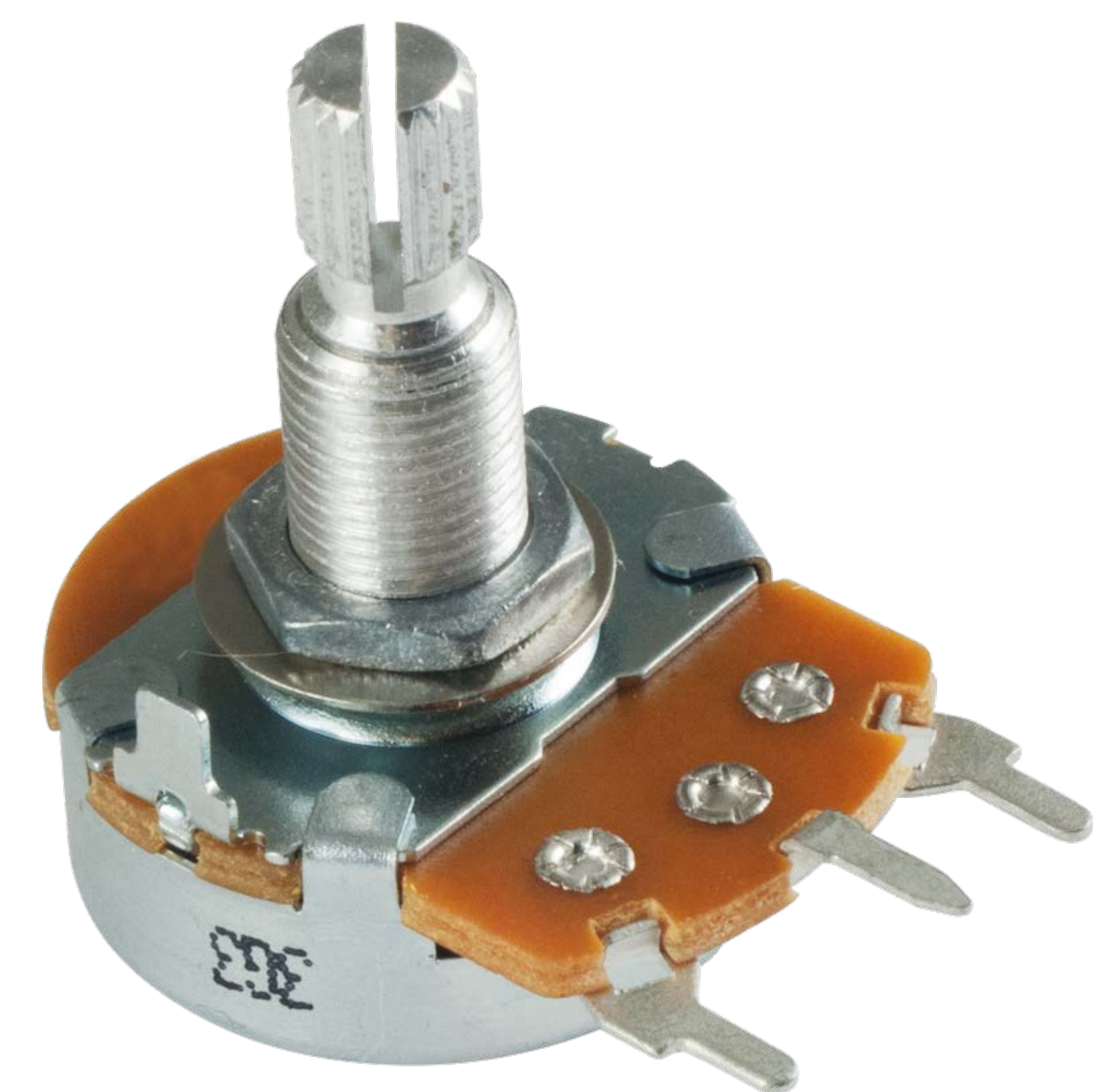
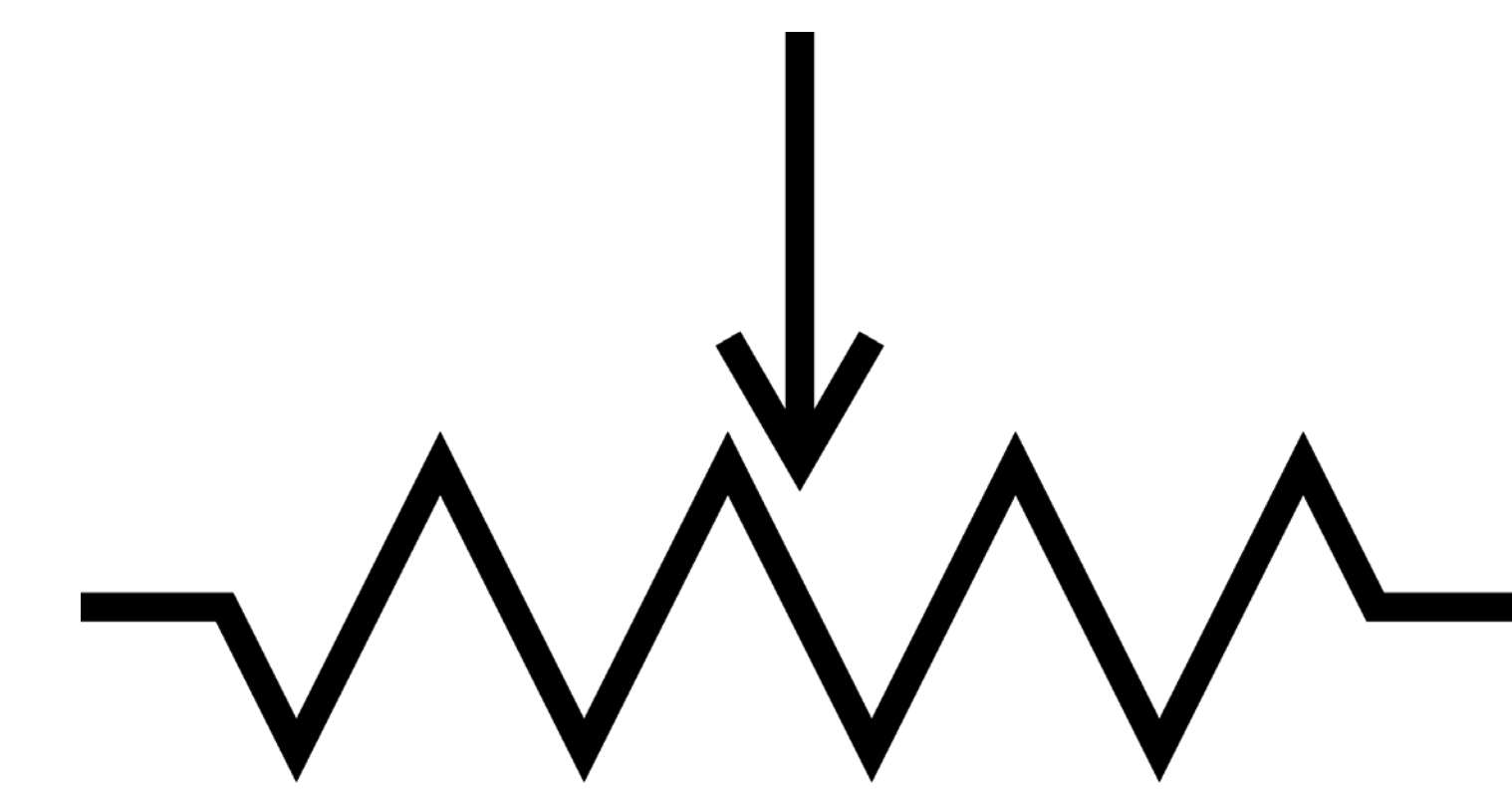
Potentiometer Value Codes

Standard Resistance Table

Resistance (Ohms)	Resistance Code
10	100
20	200
50	500
100	101
200	201
500	501
1,000	102
2,000	202
5,000	502
10,000	103
20,000	203
25,000	253
50,000	503
100,000	104
200,000	204
250,000	254
500,000	504
1,000,000	105
2,000,000	205



103 → "10 ohms + 3 zeros"
 $10 + 000 = 10,000\Omega = 10k\Omega$



$$R_A + R_B = R_{POT}$$